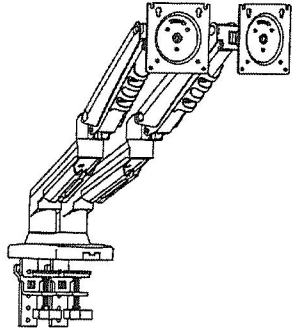


# ASSEMBLY INSTRUCTIONS

## MODEL: 33DBLUAUCCGBLK

Before assembly, please remove all parts from the carton, verifying that you have the correct quantities, and read all the instructions.

### Ergonomic desktop type Cylinder Monitor Arm Installation instructions



## 33DBLUAUCCGBLK

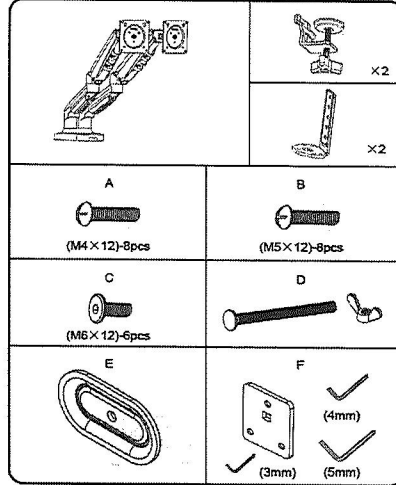
Fits Most Displays Size : 17"~30"  
Max Load : 4.4~19.8lbs(2~9kg)  
VESA : 75×75, 100×100mm

Severe personal injury and property damage can result from improper installation or assembly. Read the following warnings carefully before beginning.

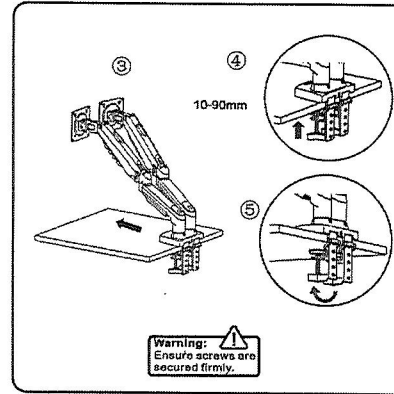
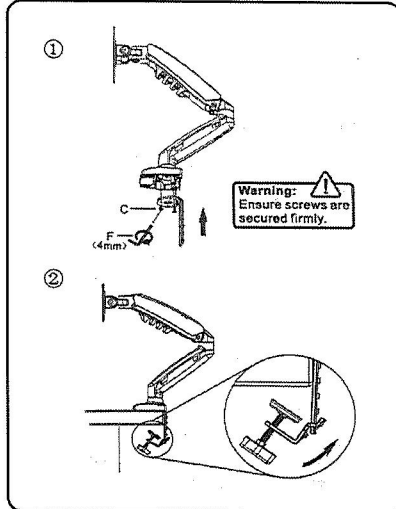
- Products must be installed by professional or installer.
- If you do not understand the instructions or have any concerns or questions, please contact a qualified local installer.
- Do not install or assemble if the product or hardware is damaged or missing. If you require replacement parts, please contact your local distributor for assistance.
- This product is most 17"-30" LCD / monitor, maximum weight of LCD / monitor, 5kg (11 lbs).
- Adjustable and slight forward.
- If or after installation, the desk you are mounting to must support minimum 3 times the weight of the total load (the monitor, the monitor arm and all accessories weight).
- Do not use the product for other than the original designed.
- This product contain moving parts, please use with caution.
- If there existing monitor, please do not damage electrical wiring or power source.
- Installation and routing of monitor cables on the monitor bracket must comply with electro-technical regulations.
- Temporary, move, and cable tables must be secured against twisting and squaring or shearing.
- The manufacturer will bear no responsibility to the lack of mounting, or incidental or consequential damages arising thereof.
- The manufacturer disclaims any liability for the modifications, improper installation, or installation over the specified weight range. The manufacturer will not be liable for any damages arising out of the use of, or inability to use, the product.
- This product is designed for indoor used only, use of this product outdoor could lead to product failure and severe personal injury.
- This product contains a high pressure gas spring, lay and puncture prohibited. Also it is absolutely prohibited to dismantle without professional. Please return to the manufacturer or hand over to professional agencies if the product is abandoned. In order to ensure the performance of gas spring, full direction adjustment of this product arm is recommended several times per month.
- All weights are for reference only. As product is listed weight.

You reserve the right to modify or alter instructions. No modification or alteration without formal notice.

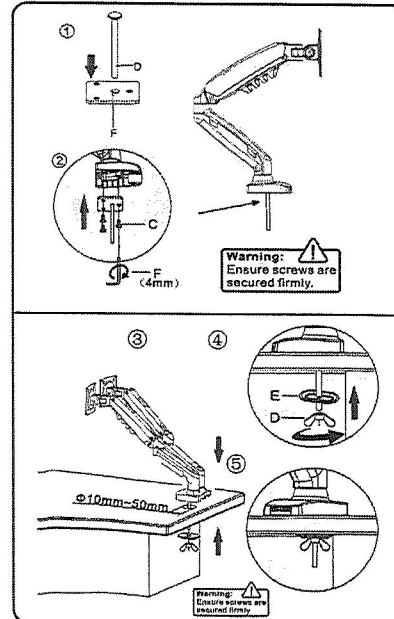
### Part list



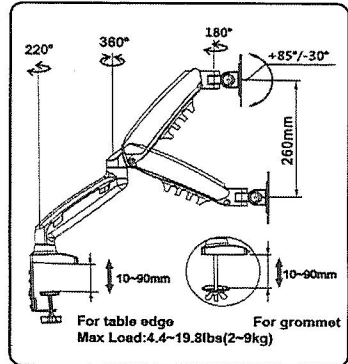
### A. Installation methods: A1. Table edge installation:



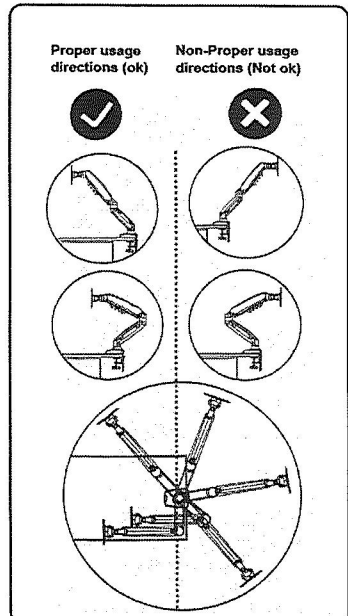
### A2. Grommet installation:



### Full adjustment after installation:



### B. Directional usage guide:

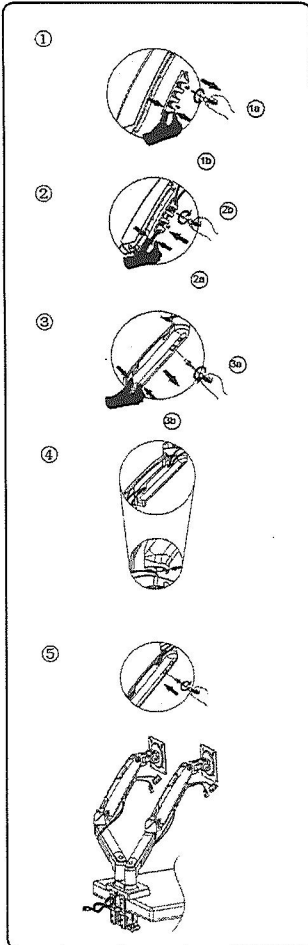


# ASSEMBLY INSTRUCTIONS

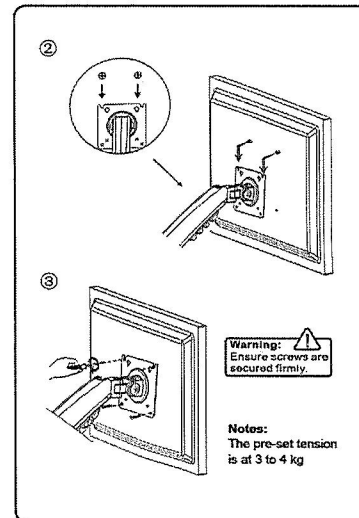
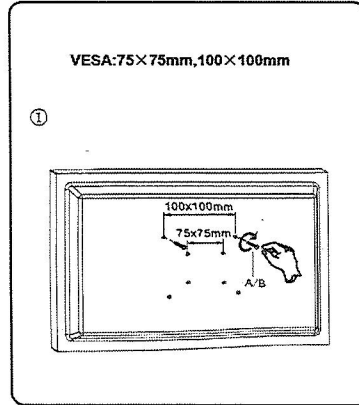
## MODEL: 33DBLUAUCCGBLK

Before assembly, please remove all parts from the carton, verifying that you have the correct quantities, and read all the instructions.

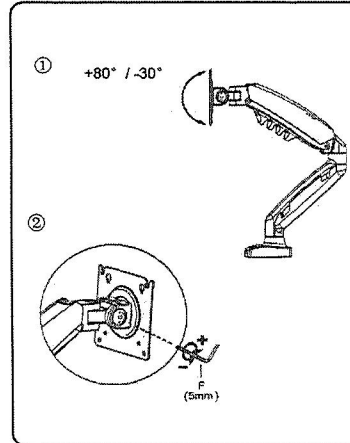
### C. Power and display lines installation



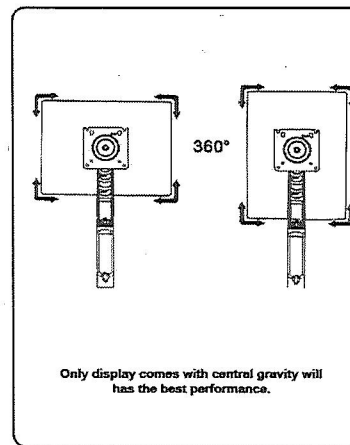
### D. Display installation



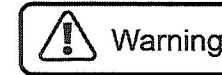
### E. Setting tilt angles



### F. Display rotation



### TENSION ADJUSTMENT AFTER WALL MOUNT INSTALLATION



Do not adjust tension without putting on display.

1.Ensure display has been put onto mount.

2.Read your display packaging or manual to find out display net weight.

3.Ensure display net weight between 4.4-19.8lbs (2.0-9kg).

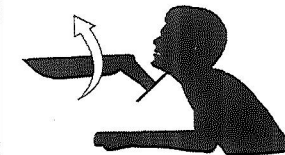
Adjustment sign



— Clockwise to Reduce tension (Carry less weight)

+ Anti - Clockwise to Increase tension (Carry more weight)

### Warning!



### ⚠ ATTENTION ⚠

Do not tighten any screws or bolts until the unit is completely assembled.

Ensure all bolts and screws are tightened before using the table. Check bolts and screws every 6 months.

If any parts are missing, broken, damaged or worn, stop use of product until repairs have been made using factory authorized parts.

Failure to follow these warnings may result in injury.