

ASSEMBLY INSTRUCTIONS

MODEL: PLTVAMONOMOUNT

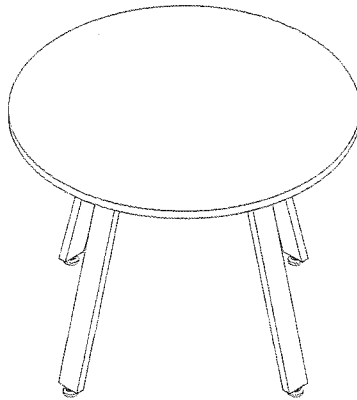
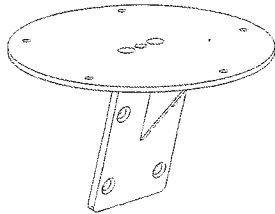


Before assembly, please remove all parts from the carton, verifying that you have the correct quantities, and read all the instructions.

****Please Note: When attaching the metal legs to the laminated tops, installed D-Nut holes are to be used as a guideline only for installation, wood screws need to be attached as well, wherever they are provided. Not all of the provided holes on these metal legs will line up with the inserts on the laminated tops. The provided wood screw may also need to be used****

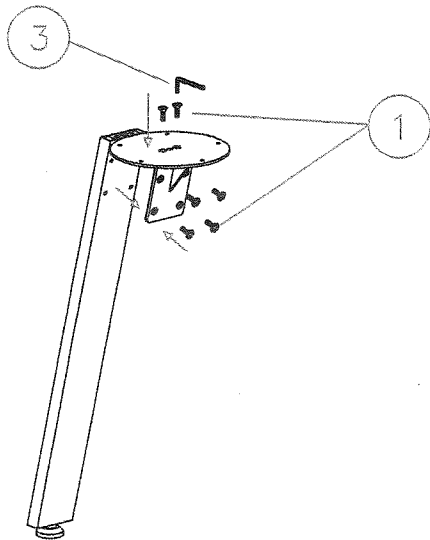
INSTRUCTIONS:

IN THE CARTON:



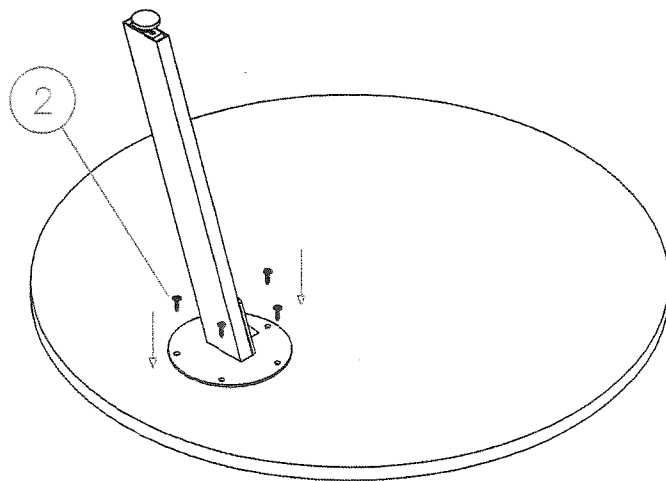
Parts List

1		CSK Bolts M6 X 20mm	6 pcs
2		Wood Screw M4 X 20mm	5 pcs
3		Allen Key	1 pcs



1. Attach leg to VA mono mount with using CSK bolts M6 X 20mm (part 1) and allen key (part 3).

*Screw slightly at starting, once all the bolts are in position, screw tightly all the bolts.



2. Attach the leg to the table top with using wood screw (part 2). Flip table over to correct position.

⚠ ATTENTION ⚠

Do not tighten any screws or bolts until the unit is completely assembled.

Ensure all bolts and screws are tightened before using the table, check bolts and screws every 6 months.

If any parts are missing, broken, damaged or worn, stop use of product until repairs have been made using factory authorized parts.

Failure to follow these warnings may result in injury.