
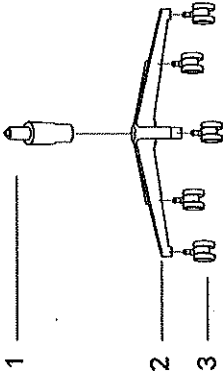
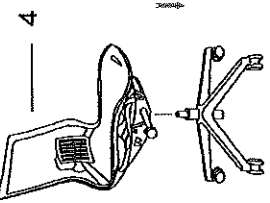

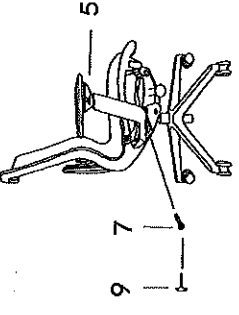



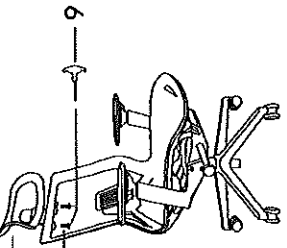



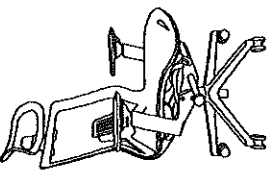
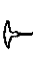


# ASSEMBLY INSTRUCTIONS

## MODEL: 981TARM4D



Before assembly, please remove all parts from the carton, verifying that you have the correct quantities, and read all the instructions.

1	 1 pcs	 <p>1 — 2 — 3 —</p> <p><b>Step 1</b></p>	 <p>4 —</p> <p><b>Step 2</b></p>	
2	 1 pcs			<p>Headrest options</p>  <p>5 — 7 — 9 —</p> <p><b>Step 3</b></p> <p>Headrest options</p>
3	 5 pcs			
4	 1 pcs			
5	 2 pcs	 <p>6 — 8 — 9 —</p> <p><b>Step 4</b></p>		
6	Headrest options  1 pcs			
7	M8x58MM  2 pcs			
8	M6X10MM  2 pcs	 <p><b>Step 5</b></p>	<p><b>Step 6</b></p>	
9	M5  1 pcs			


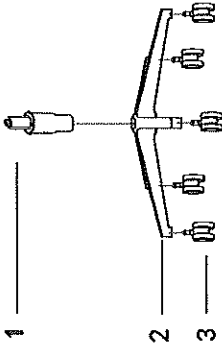
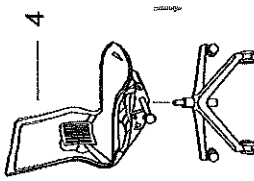



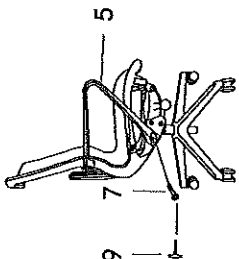
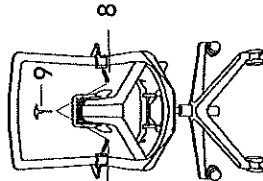


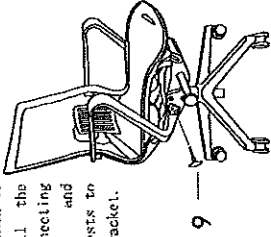
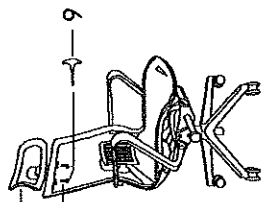

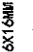
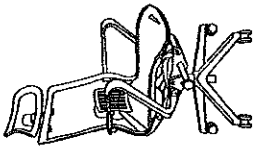

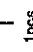
### ⚠ ATTENTION ⚠

Do not tighten any screws or bolts until the unit is completely assembled. Ensure all bolts and screws are tightened before using. Check bolts and screws every 6 months. If any parts are missing, broken, damaged or worn, stop use of product until repairs have been made using factory authorized parts. Failure to follow these warnings may result in injury.

**ASSEMBLY INSTRUCTIONS**  
**MODEL: 981LOOPARM**



Before assembly, please remove all parts from the carton, verifying that you have the correct quantities, and read all the instructions.

1	 1 pcs		
2	 1 pcs	<p><b>Step 1</b></p> <p>First: Connect the left and right handrails to the Bottom frame holes. Use the M8X55MM screws to screw in a little bit, but do not tighten them. Let the screws fill.</p>	<p><b>Step 2</b></p> <p>Second: Connect the left and right armrests to the backrest holes. Use the M6X16MM screws to screw in a little bit by hand, make sure the screws are in place, and then tighten them with a wrench.</p>
3	 5 pcs		
4	 1 pcs	<p></p> <p><b>Step 3</b></p> <p>Finally: Use a wrench to tighten all the screws connecting the left and right armrests to the back bracket.</p>	<p></p> <p><b>Step 4</b></p> <p>Headrest options</p>
5	 2 pcs		
Headrest options	 1 pcs	<p></p> <p><b>Step 5</b></p>	<p></p> <p><b>Step 6</b></p> <p>Headrest options</p>
6	M8X58MM  2 pcs		
7	M6X16MM  4 pcs	<p></p> <p><b>Step 7</b></p> <p>Headrest options</p>	<p><b>Step 7</b></p>
8	M5  1 pcs		
9	 1 pcs		

**ATTENTION**  Do not tighten any screws or bolts until the unit is completely assembled. Ensure all bolts and screws are tightened before using, check bolts and screws every 6 months. If any parts are missing, broken, damaged or worn, stop use of product until repairs have been made using factory authorized parts. Failure to follow these warnings may result in injury.