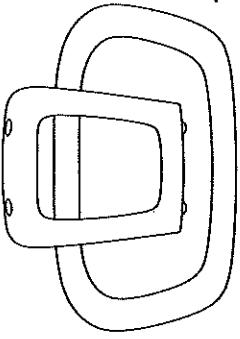
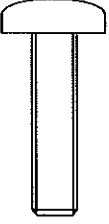
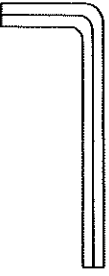


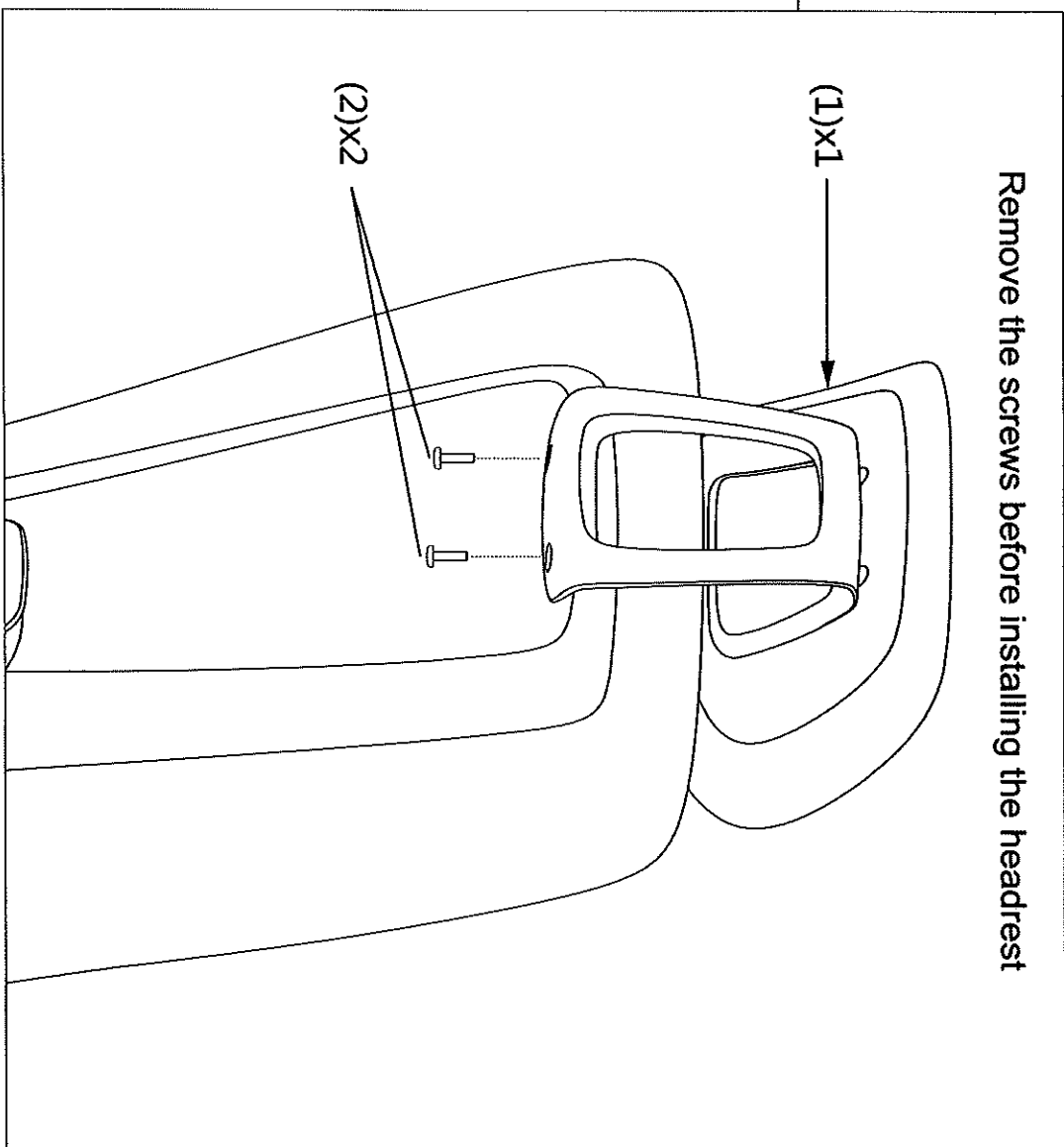
# ASSEMBLY INSTRUCTIONS

## MODEL: 3781HR



Before assembly, please remove all parts from the carton, verifying that you have the correct quantities, and read all the instructions.

(1)x1	
(2)x2	 M6*20
(3)x1	 M6



### ▲ ATTENTION ▲

Do not tighten any screws or bolts until the unit is completely assembled.  
Ensure all bolts and screws are tightened before using, check bolts and screws every 6 months.  
If any parts are missing, broken, damaged or worn, stop use of product until repairs have been made using factory authorized parts.  
Failure to follow these warnings may result in injury.